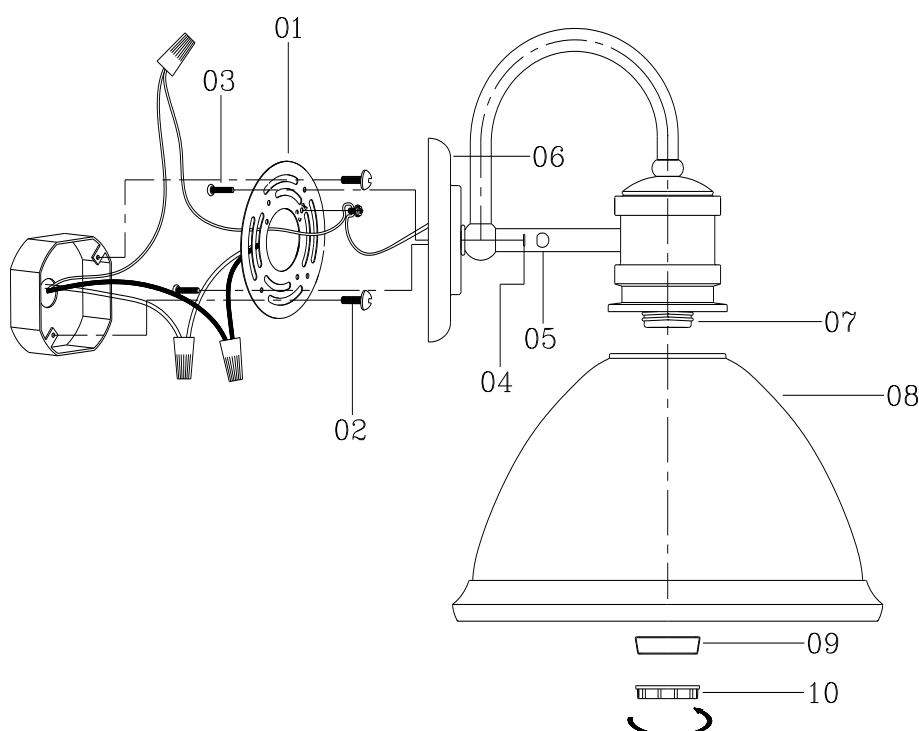




ASSEMBLY AND INSTALLATION INSTRUCTIONS for the **9492/9493** Outdoor Fixture

Important Safety information (Please read before proceeding)

1. Remove the fixture, parts and all mounting hardware bags (orange) from the carton and verify that all parts are present according to the illustration sheet. All parts must be used as indicated. Do not replace any parts, leave any parts out, or use any parts which are worn out or broken. **Failure to follow the instructions could cause a hazardous situation, voids the warranty and violates the U.L. listing of the fixture.**
2. To prevent the electric shock, turn off the main power at the circuit breaker before installing the fixture. **NEVER attempt to install, clean or replace bulbs without shutting off the electricity to the fixture.**
3. **Never use light bulbs with wattage ratings that exceed the fixtures maximum rating.** Always make sure the electric current is turned off before changing the bulbs.
4. If you experience difficulties installing the lighting fixture or it fails to work as expected, please contact a local qualified licensed electrical contractor.
5. Please contact your local Capital Lighting Fixture reseller with any assembly or installation questions. Your local reseller can also provide you with replacement parts for your new fixture.



Components

- 01. Universal Bar
- 02. Outlet Box Mounting Screw
- 03. Mounting Screw
- 04. Rubber Washer
- 05. Ball Knob
- 06. Fixture
- 07. Socket
- 08. Metal Shade
- 09. Spacer
- 10. Socket Ring

Assembly Instructions for the 9492/9493 outdoor fixture

1. Assemble Mounting Screws (03) into threaded holes of Universal Bar (01).
2. Attach Universal Bar (01) to Outlet Box with Outlet Box Mounting Screws (02).
3. Connect fixture ground wire to outlet box ground wire with wire connector supplied; connect white fixture wire to the white power supply wire with wire connector supplied; connect black fixture wire to the black power supply wire with wire connector supplied.
4. Push Fixture (06) to wall, carefully passing Mounting Screws (03) through holes, verify all wires are securely inside fixture back plate, then Secure Fixture (06) to wall with Rubber Washers (04) and Ball Knobs (05).
5. Raise Metal Shade (08) over Socket (07), then secure it with Spacer (09) and Socket Ring (10).

Note: Guide for Outdoor Mounting Fixture and/or in Wet Locations:

1. Mounting surfaces should be clean, dry, flat and 1/4" larger than the canopy on all sides. Any gaps between mounting surface and canopy exceeding 3/16" should be corrected as required.
2. Use silicone caulking compound (not provided), caulk completely around where back of canopy meets the wall surface to prevent water from seeping into outlet box.